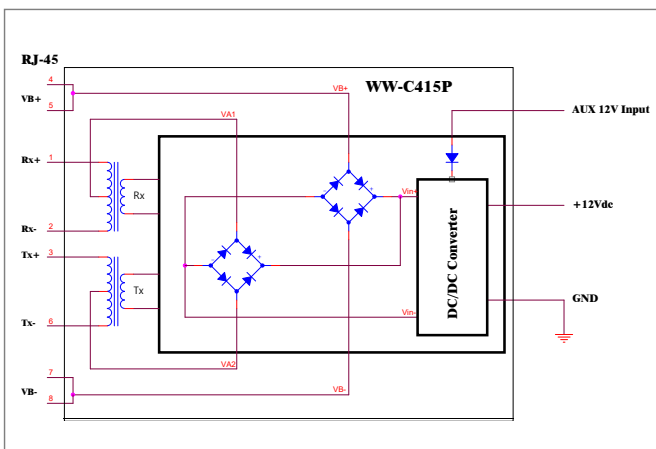


- IEEE802.3af standard Compliant
- Input voltage range PoE(36V~57V), DC(11.4V~12.6V)
- Short-circuit protection
- Overload and short-circuit Protection
- Simple integration

This PSU accepts PoE(IEEE802.3af) input. As it use RCC(Ringing Choke Converter) type SMPS which is operated by variable frequency. Within this input power, its output can meet +12V and 7.2W(Max.) power can be supported. It includes compensation circuit board to avoid the case like short-circuit of main unit and short of this PSU. By this circuit board architecture, it prevents fire and smoke of power itself.

The WW-C415P module is designed to extract power from a conventional twisted pair Category 5 Ethernet cable, conforming to the IEEE 802.3af Power-over-Ethernet (PoE) standard.

■ Block Diagram



■ Output Ratings

Channel	CH1
Regulated Output Voltage	+12V
Regulated Output Voltage Variation	+11.4V ~ +12.6V
Regulated Output Current	500mA
Regulated Output Current Variation	0.1A ~ 0.6A
Ripple & Noise (Max.)	150mVp-p
Short protection	No fire and smoke in condition that the circuit is shorted during 5seconds.

■ Connector Pin Map

No.	CN1 (TM12525-10)
1	TXD+
2	TXD-
3	RXD+
4	VB+
5	VB+
6	RXD-
7	VB-
8	VB-
9	GND
10	DC12V
11	LED LINK
12	LED LINK
13	LED ACT
14	LED ACT

No.	CN2 (HA04-3.5-06-(2.5/2.5))
1	RX-
2	RX+
3	TX-
4	TX+
5	GND
6	RESET
7	+12V
8	+12V
9	LED LINK
19	LED ACT

■ Dimension Unit : mm

