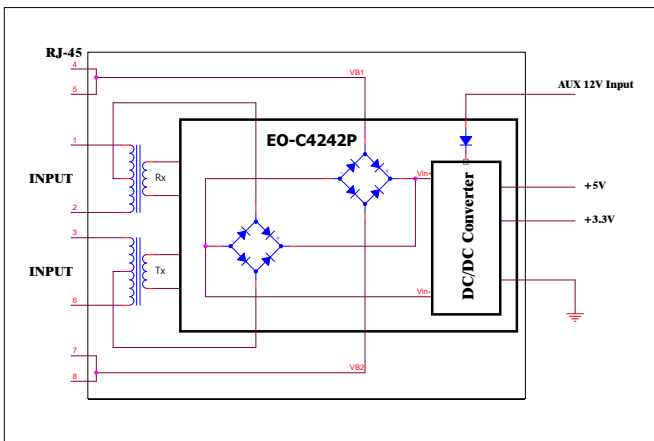


- IEEE802.3af standard Compliant
- Max. 8.4W Output
- 85% efficiency DC/DC converter
- Input voltage range : PoE(36V to 57V), DC(10V~14V)
- 5Channel Output (+12V, +5V)
- Provides the interface specified by the buyer.
(Various sensor inputs and outputs etc.)
- Overload and short-circuit Protection
- Simple integration

PSU accepts PoE(IEEE802.3af) input. As it use RCC(Ringing Choke Converter) type SMPS which is operated by variable frequency. Within this input power, its output can meet +12V, +5V (total 8.4W(Max.)) power can be supported. It includes compensation circuit board to avoid the case like short-circuit of main unit and short of this PSU. By this circuit board architecture, it prevents fire and smoke of power itself.

The EO-C4242P module is designed to extract power from a conventional twisted pair Category 5 Ethernet cable, conforming to the IEEE 802.3af Power-over-Ethernet (PoE) standard.

Block Diagram



Output Ratings

Channel	CH1	CH2
Regulated Output Voltage	+12V	+3.4V
Regulated Output Voltage Variation	+11.4V~+12.6V	+3.2V~+3.5V
Regulated Output Current	600mA	600mA
Regulated Output Current Variation	0.1A ~ 0.65A	0.1A ~ 0.65A
Ripple & Noise (Max.)	200mVp-p	50mVp-p
Short protection	No fire and smoke in condition that the circuit is shorted during 5seconds.	

Connector Specification

Connector Pin Map

No.	CN1 (AXK6S80537YG)	No.	CN3 (TM1252-04)	No.	CN4 (TM1252-06)
1~80	Buyer Specifies	1	+3.3V IN	1	PWM1
		2	RXD	2	PHOTO-SEN
		3	TXD	3	GND
		4	GND	4	+5V OUT
				5	GND
				6	+12V OUT
No.	CN2 (TM1252-12)	No.	CN2 (TM1252-12)	No.	CN5 (TM1252-06)
1	AUX 12V IN	7	VA1	1	Buyer Specifies Through CN1
2	GND	8	VA2		
3	CVS OUT	9	TX+	2	Buyer Specifies Through CN1
4	GND	10	TX-		
5	VB1	11	RX+	1~8	Buyer Specifies Through CN1
6	VB2	12	RX-		
No.	CN6 (TM1252-06)				
1~8	Buyer Specifies Through CN1				

PoE Pin Description

Name	Description
VA1	Rx Input(1) This input pin is used in conjunction with VA2 and connects to the center tap of the transformer connected to pins 1 & 2 of the RJ45 connector(Rx) - it is not polarity sensitive.
VA2	Tx Input(2) his input pin is used in conjunction with VA1 and connects to the center tap of the transformer connected to pins 3 & 6 of the RJ45 connector(Tx) - it is not polarity sensitive.
VB1	Direct Input(1) This input pin is used in conjunction with VB2 and connects to pin 4 & 5 of the RJ45 connector - it is not polarity sensitive.
VB2	Direct Input(2) This input pin is used in conjunction with VB1 and connects to pin 7 & 8 of the RJ45 connector - it is not polarity sensitive.

Application

It is suitable for IP Camera, Web-server, NVR, AP, and so on. Especially, it supports SD card interface, especially for IP Camera with recording function.

Dimension

