



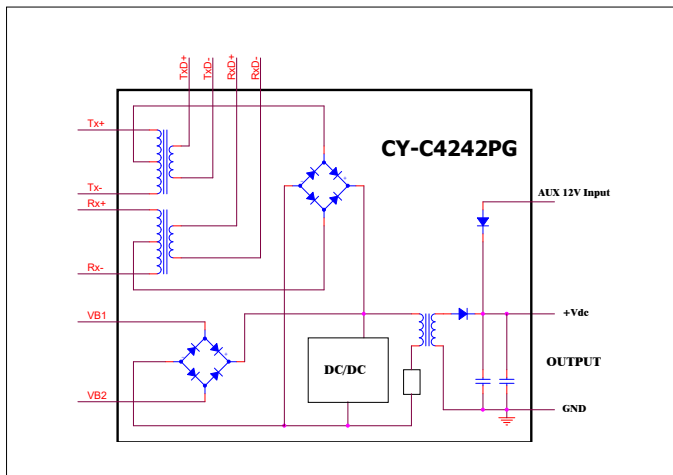
- IEEE802.3af Compliant
- Input voltage range 36V to 57V
- Short-circuit protection
- Standard CCTV package size 42mm×42mm
- Power Classification: Class 0

PSU accepts PoE(IEEE802.3af) input. As it use RCC (Ringing Choke Converter) type SMPS which is operated by variable frequency. Within this input power, its output can meet +12V and 12W(Max.) power can be supported. It includes compensation circuit board to avoid the case like short-circuit of main unit and short of this PSU. By this circuit board architecture, it prevents fire and smoke of power itself.

The CY-C4242PG provides a Class 0 signature.

The CY-C4242PG module is designed to extract power from a conventional twisted pair Category 5 Ethernet cable, conforming to the IEEE 802.3af Power-over-Ethernet (PoE) standard.

■ Block Diagram



■ Pin Description

No.	CN1 (TM12525-08)	No.	CN2 (TM12525-08)	No.	CN3 (TM12525-08)
1	TxA+	1	DA+	1	GND
2	TxA-	2	DA-	2	+12V Output
3	RxB+	3	DB+	No.	CN4 (TM12525-08)
4	TxC+	4	DB-		
5	TxC-	5	DC+	1	Aux input(+12V)
6	RxB-	6	DC-	2	GND
7	RxD+	7	DD+		
8	RxD-	8	DD-		

■ Input condition & Output ratings

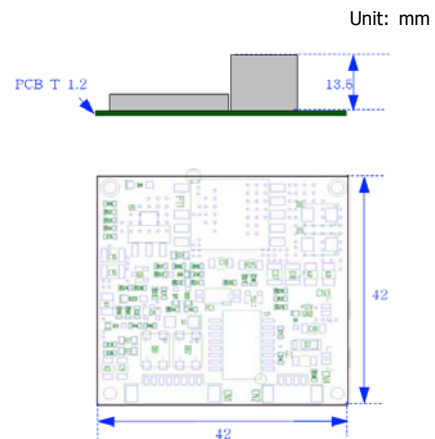
1. Input Condition

- 1) Rated Voltage : PoE(802.3af), DC12V
- 2) Variable Scope for Input voltage :
  - PoE (37~57V),
  - DC (Wired OR with Output)

2. Output Ratings

- 1) Rated Voltage : +12V
- 2) Rated Current : 900mA (Typ.)
- 3) Power Classification : Class 0
- 4) Regulated Output Current Variation : 0.1A ~ 1.0A
- 5) Regulated Output Voltage Variation : +11.4V~12.6V  
(By- pass when using EXT DC input)
- 6) Ripple & Noise : 200mVp-p (Max.)

■ Dimension



Unit: mm

42

42