



- IEEE802.3af standard Compliant
- Input voltage range: 36V ~ 57V
- **Power classification can be changed**
- Short-circuit protection
- Standard CCTV package size 42mm×42mm
- Pb free and RoHS compliant

This PSU accepts PoE(IEEE802.3af) input. As it use RCC(Ringing Choke Converter) type SMPS which is operated by variable frequency. Within this input power, its output can meet +12V and 9.6W(Max.) power can be supported. It includes compensation circuit board to avoid the case like short-circuit of main unit and short of this PSU. By this circuit board architecture, it prevents fire and smoke of power itself.

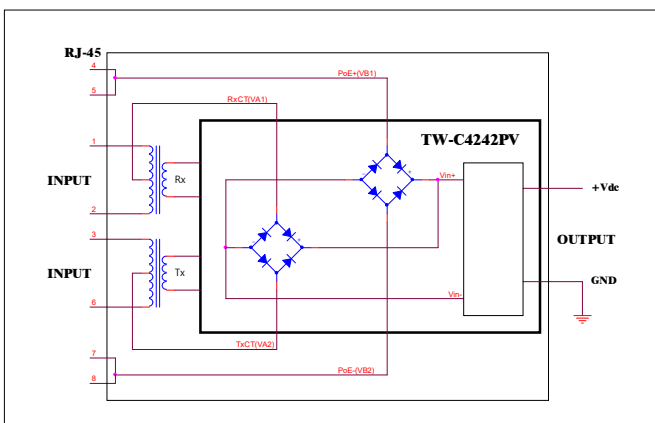
The TW-C4242PV module is designed to extract power from a conventional twisted pair Category 5 Ethernet cable, conforming to the IEEE 802.3af Power-over-Ethernet (PoE) standard.

Power Classification

The TW-C3838P provides a Class0 Signature.
To change the class, refer to the below.

Class	Power Range	R10 value
0	0.44 - 12.95W	N.C (Open)
1	0.44 - 3.84W	750Ω
2	3.84 - 6.49W	330Ω
3	6.49 - 12.95W	200Ω

Block Diagram



Pin Description



Pin No.	Name	CN1 Description
1,2	PoE- (VB2)	Direct Input(2): This input pin is used in conjunction with VB+ and connects to pin 7 & 8 of the RJ45 connector - it is not polarity sensitive.
3,4	PoE+ (VB1)	Direct Input(1): This input pin is used in conjunction with VB- and connects to pin 4 & 5 of the RJ45 connector - it is not polarity sensitive.

Pin No.	Name	CN2 Description
1	NC	
2	RxCT (VA1)	Rx Input; This input pin is used in conjunction with VA2 and connects to the center tap of the transformer connected to pins 1 & 2 of the RJ45 connector(Rx) - it is not polarity sensitive.
3	TxCT (VA2)	Tx Input; This input pin is used in conjunction with VA1 and connects to the center tap of the transformer connected to pins 3 & 6 of the RJ45 connector(Tx) - it is not polarity sensitive.
4,5	GND	GND
6,7	VDC	DC Output; +12V Output

Input condition & Output ratings

1. Input Condition

- 1) Rated Voltage : PoE(802.3af)
- 2) Variable Scope for Input voltage : PoE (DC36~57V)
- 3) Operating Temperature : -20 ~ 70 Ta/°C (Typ. 25°C)

2. Output Ratings

- 1) Rated Voltage : +12V
- 2) Output Power : 12W Max.
- 3) Regulated Output Current Variation : 0.1A ~ 1.0A
- 4) Regulated Output Voltage Variation : +11.4V ~ +12.6V
- 5) Ripple & Noise : 200mVp-p (Max.)

Dimension

Unit: mm

